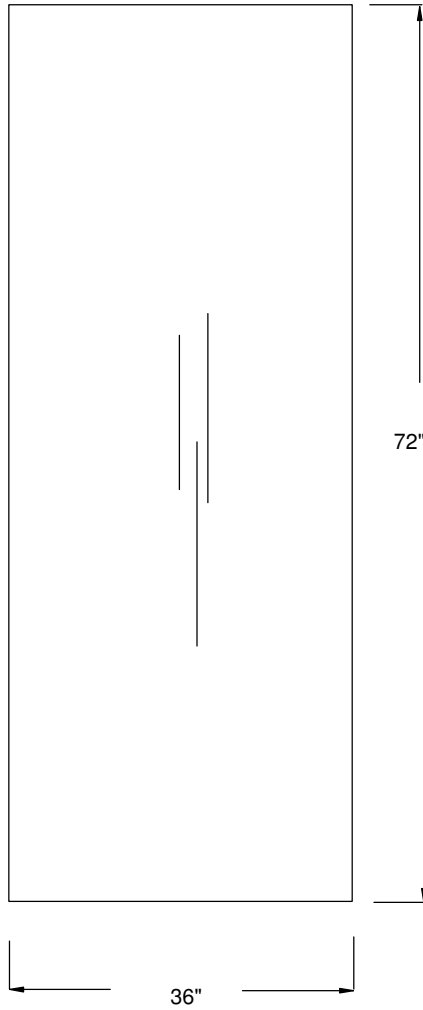
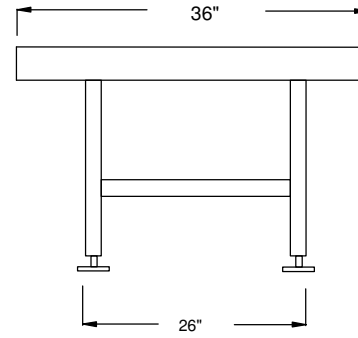


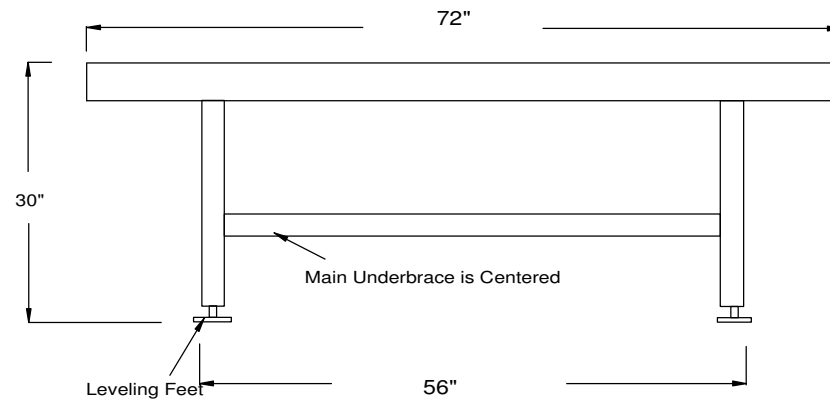
TOP VIEW



SIDE VIEW



FRONT VIEW



PROPRIETARY
 THIS DOCUMENT AND THE DATA DISCLOSED
 HEREIN OR HEREWITH IS NOT TO BE
 REPRODUCED, USED OR OTHERWISE DISCLOSED
 IN WHOLE OR IN PART TO ANYONE WITHOUT
 THE WRITTEN AUTHORIZATION FROM
 G2 AUTOMATED TECHNOLOGIES, LLC

A4

Approvals		Date		
Drawn By J. Lamb		8/23/11	GAT-TBL-CNF-367230-PWDR-ST	
Approved By				
TITLE 36"Dx72"Wx30"H Conference Table			Material: SS 304 #3 Powder Coated Frame	
SIZE N/A	CAGE CODE	DWG NO	REV	
SCALE Not To Scale		SHEET		