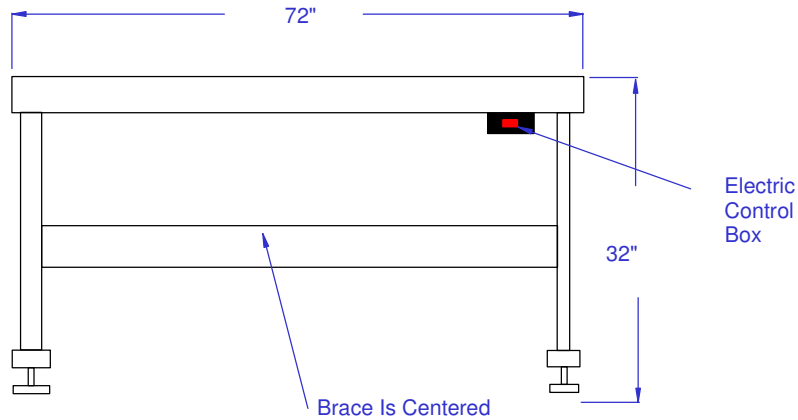
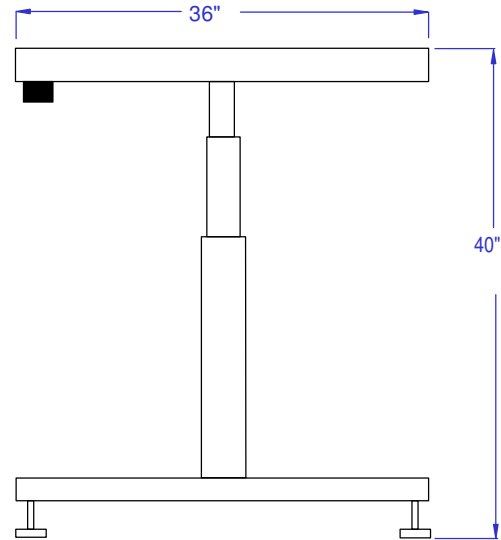




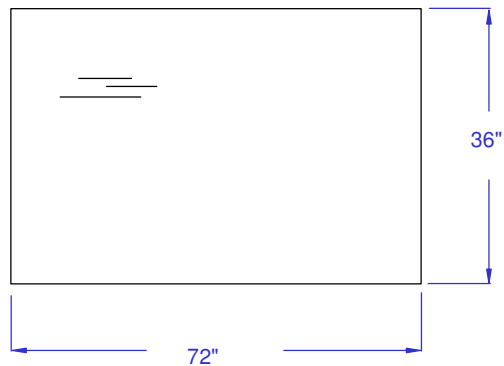
FRONT VIEW




SIDE VIEW



TOP VIEW



QTY.:		STANDARDS: ALL TIG WELDS CLEANED ALL TOP EDGES SMOOTHED TOP FLANGE CORNERS TIG WELDED AND GROUND SMOOTH TOP BEND RADIUS IS .125" TUBING RADIUS IS .125"	 PROPRIETARY <small>THIS DOCUMENT AND THE DATA DISCLOSED HEREIN OR HEREWITH IS NOT TO BE REPRODUCED, USED OR OTHERWISE DISCLOSED IN WHOLE OR IN PART TO ANYONE WITHOUT THE WRITTEN AUTHORIZATION FROM G2 AUTOMATED TECHNOLOGIES, LLC</small>	Approvals Drawn By J. Lamb Approved By N/A	Date 10/24/11	GAT-TBL-ADJ-367232-40-SS-ST	
PLEASE RETURN A SIGNED COPY TO G2. EACH DRAWING IS TO BE SIGNED AND DATED INDICATING CUSTOMERS APPROVAL. G2 MUST OBTAIN APPROVAL ON DRAWINGS PRIOR TO THE FABRICATION OF ANY PRODUCTS. ALL AMENDMENTS MADE AFTER THE APPROVAL OF THESE DRAWINGS WILL BE AT THE EXPENSE OF THE CUSTOMER.	Approval _____ Date _____	A4		TITLE Electric Lift Table 8" Travel Leveling Feet	Material: SS 304 #3 Tubing and Top		
				SIZE N/A	CAGE CODE	DWG NO	REV
				SCALE	SHEET		

